

# R-2000iC/125L (Long arm)



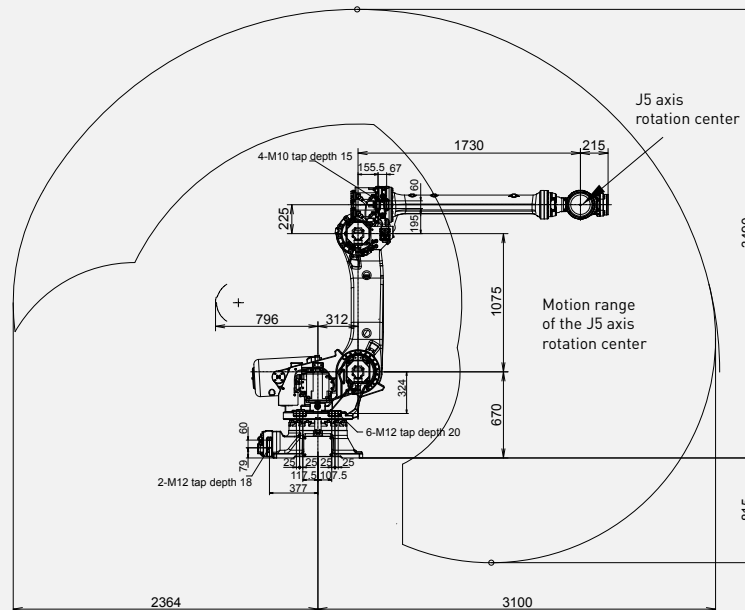
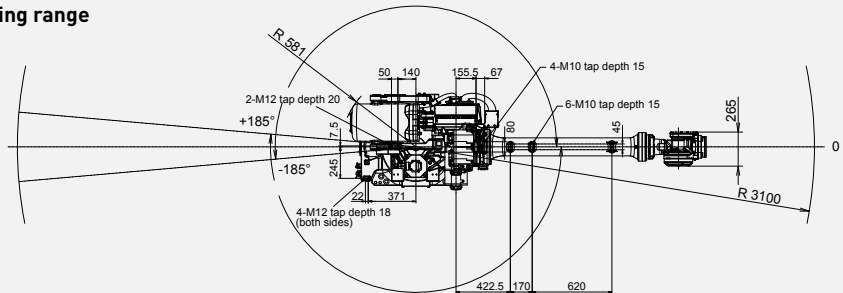
Max. load capacity  
at wrist: **125 kg**



Max. reach:  
**3100 mm**

Controlled axes	Repeatability (mm)	Mechanical weight (kg)	Motion range (°)						Maximum speed (°/s)						J4 Moment/ Inertia (Nm/kgm <sup>2</sup> )	J5 Moment/ Inertia (Nm/kgm <sup>2</sup> )	J6 Moment/ Inertia (Nm/kgm <sup>2</sup> )
			J1	J2	J3	J4	J5	J6	J1	J2	J3	J4	J5	J6			
6	± 0.05*	1115	370	136	301	720	250	720	130	115	125	180	180	260	710/72	710/72	355/40

## Working range



## Robot

Robot	R-2000iC/125L
Robot footprint [mm]	771 X 610
Mounting position Floor	●
Mounting position Upside down	-
Mounting position Angle	-

## Controller

Controller	R-30iB Plus
Open air cabinet	-
Mate cabinet	○
A-cabinet	●
B-cabinet	○
iPendant Touch	●

## Electrical connections

Voltage 50/60Hz 3phase [V]	380-575
Voltage 50/60Hz 1phase [V]	-
Average power consumption [kW]	2.5

## Integrated services

Integrated signals on upper arm In/Out	8/8
Integrated air supply	2

## Environment

Acoustic noise level [dB]	70.5
Ambient temperature [° C]	0-45

## Protection

Body standard/optional	IP54/IP56
Wrist & J3 arm standard/optional	IP67

● standard ○ on request - not available ( ) with hardware and/or software option

\*Based on IS09283